

Technical data sheet

Product features



Electric range with cabinet

Model	SAP Code	00014773
--------------	-----------------	----------



- Device type: Electric unit
- Power consumption of the zone 1 [kW]: 2,6
- Power consumption of the zone 2 [kW]: 2,6
- Power consumption of the zone 3 [kW]: 2,6
- Power consumption of the zone 4 [kW]: 2,6
- Protection of controls: IP24
- Material: AISI 304 top plate and cladding

SAP Code	00014773	Loading	400 V / 3N - 50 Hz
Net Width [mm]	800	Number of zones	4
Net Depth [mm]	730	Power consumption of the zone 1 [kW]	2,6
Net Height [mm]	900	Power consumption of the zone 2 [kW]	2,6
Net Weight [kg]	68.20	Power consumption of the zone 3 [kW]	2,6
Power electric [kW]	10.400	Power consumption of the zone 4 [kW]	2,6

Technical data sheet

Technical drawing

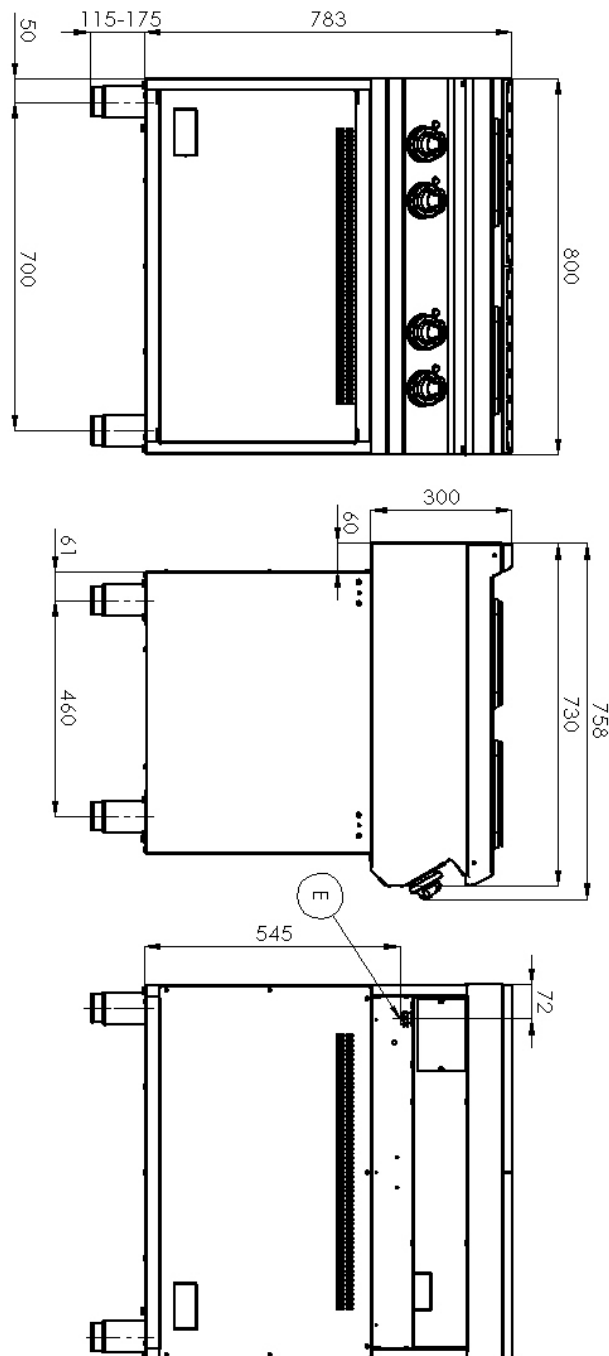


Electric range with cabinet

Model

SAP Code

00014773



Technical data sheet

Technical parameters



Electric range with cabinet

Model

SAP Code

00014773

1. SAP Code:

00014773

2. Net Width [mm]:

800

3. Net Depth [mm]:

730

4. Net Height [mm]:

900

5. Net Weight [kg]:

68.20

6. Gross Width [mm]:

840

7. Gross depth [mm]:

800

8. Gross Height [mm]:

1080

9. Gross Weight [kg]:

78.00

10. Device type:

Electric unit

11. Construction type of device:

With substructure

12. Power electric [kW]:

10.400

13. Loading:

400 V / 3N - 50 Hz

14. Protection of controls:

IP24

15. Exterior color of the device:

Stainless steel

16. Material:

AISI 304 top plate and cladding

17. Indicators:

operation

18. Worktop type:

Molded - comfortable cleaning maintenance

19. Worktop material:

AISI 304

20. Worktop Thickness [mm]:

1.50

21. Number of zones:

4

22. Power consumption of the zone 1 [kW]:

2,6

23. Power consumption of the zone 2 [kW]:

2,6

24. Power consumption of the zone 3 [kW]:

2,6

25. Power consumption of the zone 4 [kW]:

2,6

26. Maximum device temperature [°C]:

400

27. Minimum device temperature [°C]:

50

28. Service accessibility:

Trough the frontal panel

Technical data sheet

Technical parameters



Electric range with cabinet

Model	SAP Code	00014773

29. Adjustable feet:

Yes

31. Type of electric cooking zones:

Squared

30. Number of burners/hot plates:

4

32. Cross-section of conductors CU [mm²]:

2,5

- Výkon (kW): 11-17 (230 V); 19-30 (400 V)